

Product Specification Datasheet

TNQ2LW6XL-CD104

100G QSFP28 LR4 Optical Transceiver



The QSFP28 LR4 is a 4x25G single-mode fiber, hot pluggable optical transceiver with unique technology enables the integration of 4 transmitters, 4 receivers and an optical MUX/ DeMUX into a small form factor package that delivers up to 112 Gbps data link in a compact QSFP28 footprint.

The optical connectivity is based on two Singlemode Fiber (SMF) LC connectors, one for Tx and one for Rx. The Tx and Rx each consist of 4 25GB/s LAN-WDM channels, whose wavelengths are in the 1300nm range. The QSFP28 LR4 transceiver is designed for applications with a reach up to 10Km.

Features

- Compliant with the QSFP28 MSA Technical Specifications.
- Supports operation for a data rate of 103.1Gb/s.
- Maximum link length of 10km on Single Mode Fiber (SMF).
- Optical specifications are compliant with IEEE802.3ba 100GBASE-LR4.
- Low speed electrical signal is compliant with SFF-8679.
- High speed electrical signal is compliant with 802.3bm CAUI-4.
- Digital diagnostic functions are available via the I2C interface, as specified by SFF-8636.

- 4x25Gb/s DFB-based LAN-WDM transmitter with central wavelengths of 4 channels 1295.56, 1300.05, 1304.58 and 1309.14 nm.
- Supports operation for a case temperature of 0°C to +70 °C.
- Duplex LC receptacles.
- Power Dissipation < 3.5W.
- Single 3.3V Power Supply.
- ROHS Compliant.

Applications

- 100GBASE-LR4 Ethernet links

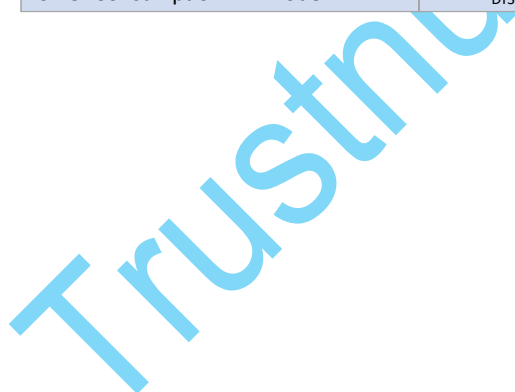


Absolute Maximum Ratings

Parameter	Symbol	Min	Max	Unit	Notes
Storage Temperature Range	T _{STG}	-40	+85	°C	
Supply Voltage	V _{CC}	0	4	V	
Maximum Average Input Optical Power per Lane (Damage Threshold)	P _{IN}	5.5		dBm	
Relative Humidity	RH	10% to 90% non-condensing			

Operating Conditions

Parameter	Symbol	Min	Max	Unit	Notes
Case Temperature- Operating	T _{CASE}	0	70	°C	
Supply Voltage	V _{CC}	3.14	3.46	V	
Power Consumption	P _{DISS}		3.5	W	
Power Consumption- LP Mode	P _{DISS-LP}		1.5	W	



100GBASE-LR4 Operation

Transmitter Parameter	Lane	Min	Typical	Max	Unit	Notes
Signaling rate, each lane		25.78125± 100 ppm			Gb/s	
Lane Wavelength Range	Lane 0	1294.53	/	1296.59	nm	
	Lane 1	1299.02	/	1301.09	nm	
	Lane 2	1303.54	/	1305.63	nm	
	Lane 3	1308.09	/	1310.19	nm	
Average Optical Power per lane		-4.3		4.5	dBm	
Total Average Launch Power				10.5	dBm	
Optical Modulation Amplitude (OMA), each lane		-1.3		4.5	dBm	
Launch Power in OMA minus TDP, each lane		-2.3			dBm	
Transmitter and Dispersion Penalty (TDP) each lane				2.2	dB	
Average Launch Power per Lane @ TX Off State				-30	dBm	
Extinction Ratio		4			dB	
Relative Intensity Noise (OMA)				-130	dB/Hz	
Side-Mode Suppression Ration (SMSR)		30			dB	
Optical Return Loss Tolerance				20	dB	
Transmitter Reflectance				-12	dB	
Transmitter Eye Mask Definition {X1, X2, X3, Y1, Y2, Y3}		{0.25, 0.4, 0.45, 0.25, 0.28, 0.4}				1
Transmitter Output Power Monitor Accuracy		-3		3	dB	
Receiver Parameter	Lane	Min	Typical	Max	Unit	Notes
Signaling rate, each lane		25.78125± 100 ppm			Gb/s	
Lane Wavelength Range	Lane 0	1294.53	/	1296.59	nm	
	Lane 1	1299.02	/	1301.09	nm	
	Lane 2	1303.54	/	1305.63	nm	
	Lane 3	1308.09	/	1310.19	nm	
Damage Threshold		5.5			dBm	
Average Receive Power, each lane		-10.6		4.5	dBm	
Receive Power, each lane (OMA)				4.5	dBm	
Receiver Reflectance				-26.0	dB	
Receiver Sensitivity (OMA) per lane				-8.6	dBm	2
Stressed receiver sensitivity(OMA),each lane				-6.8	dBm	3
Receive Power Monitor Accuracy		-3.0		3.0	dB	

Notes:

- 1.Hit ratio 5×10^{-5}
- 2.Measured with a test pattern of PRBS $2^{31}-1$ at Pre-fec BER 1×10^{-12}
- 3.Measured with vertical eye closure penalty of 1.8 dB max, J2 of 0.30 UI, and J9 of 0.47 UI.

QSFP28 Connector and Pinout Description

The electrical interface to the transceiver is a 38 pins edge connector. The 38 pins provide high speed data, low speed monitoring and control signals, I2C communication, power and ground connectivity. The top and bottom views of the connector are provided below, as well as a table outlining the contact numbering, symbol and full description.

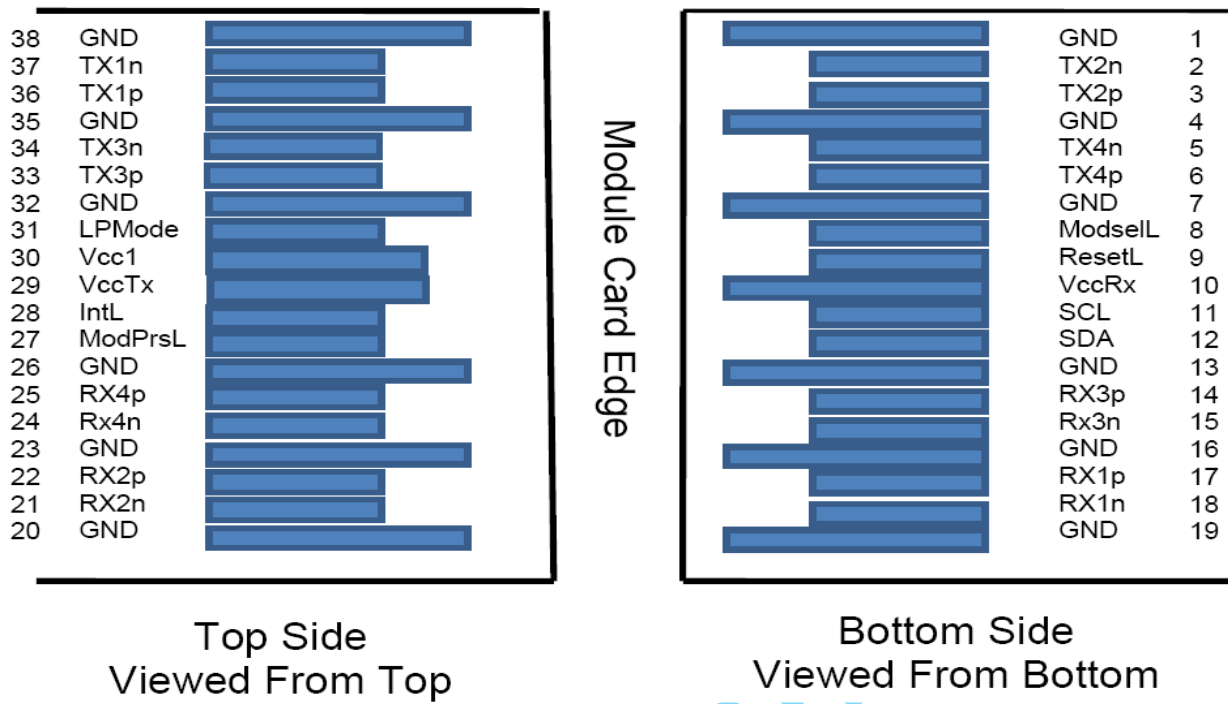


Figure 1. QSFP28-compliant 38-pin connector

Trustnuo Confidential

QSFP Transceiver Pinout

Pin No.	Logic	Symbol	Description	Plug Sequence
1		GND	Ground	1
2	CML-I	TX2n	Transmitted Inverted Data Input	3
3	CML-I	TX2p	Transmitted Non-Inverted Data Input	3
4		GND	Ground	1
5	CML-I	TX4n	Transmitted Inverted Data Input	3
6	CML-I	TX4p	Transmitted Non-Inverted Data Input	3
7		GND	Ground	1
8	LVTTL-I	ModSeil	Module Select	3
9	LVTTL-I	ResetL	Module Reset	3
10		Vcc Rx	+3.3 VDC Receiver Power Supply	2
11	LVC MOS-I/O	SCL	Serial Clock for I2C Interface	3
12	LVC MOS-I/O	SDA	Serial Data for I2C Interface	3
13		GND	Ground	1
14	CML-O	RX3p	Receiver Non-Inverted Data Output	3
15	CML-O	RX3n	Receiver Inverted Data Output	3
16		GND	Ground	1
17	CML-O	RX1p	Receiver Non-Inverted Data Output	3
18	CML-O	RX1n	Receiver Inverted Data Output	3
19		GND	Ground	1
20		GND	Ground	1
21	CML-O	RX2n	Receiver Inverted Data Output	3
22	CML-O	RX2p	Receiver Non-Inverted Data Output	3
23		GND	Ground	1
24	CML-O	RX4n	Receiver Inverted Data Output	3
25	CML-O	RX4p	Receiver Non-Inverted Data Output	3
26		GND	Ground	1
27	LVTTL-O	ModPrsL	Module Present	3
28	LVTTL-O	IntL	Interrupt	3
29		Vcc Tx	+3.3 VDC Transmitter Power Supply	2
30		Vcc1	+3.3 VDC Power Supply	2
31	LVTTL-I	LPMODE	Low Power Mode	3
32		GND	Ground	1
33	CML-I	TX3p	Transmitted Non-Inverted Data Input	3
34	CML-I	TX3n	Transmitted Inverted Data Input	3
35		GND	Ground	1
36	CML-I	TX1p	Transmitted Non-Inverted Data Input	3
37	CML-I	TX1n	Transmitted Inverted Data Input	3
38		GND	Ground	1

High Speed Electrical Specifications

Transmitter Parameter	Min	Typical	Max	Unit
Signaling rate per lane (range)	25.78125 ± 100 ppm			GBd
AC common-mode output voltage (RMS)			17.5	mV
Differential output voltage			900	mV
Eye width	0.57			UI
Eye height, differential	228			mV
Vertical eye closure			5.5	dB
Differential output return loss	Equation (83E-2)			dB
Common to differential mode conversion return loss	Equation (83E-3)			dB
Differential termination mismatch			10	%
Transition time (20% to 80%)	12			ps
DC common mode voltage	-350		2850	mV
Receiver Parameter	Min	Typical	Max	Unit
Signaling rate per lane (range)	25.78125 ± 100 ppm			GBd
AC common-mode output voltage (RMS)			17.5	mV
Differential output voltage			900	mV
Eye width	0.57			UI
Eye height, differential	228			mV
Vertical eye closure			5.5	dB
Differential output return loss	Equation (83E-2)			dB
Common to differential mode conversion return loss	Equation (83E-3)			dB
Differential termination mismatch			10	%
Transition time (20% to 80%)	12			ps



Functional Block Diagram

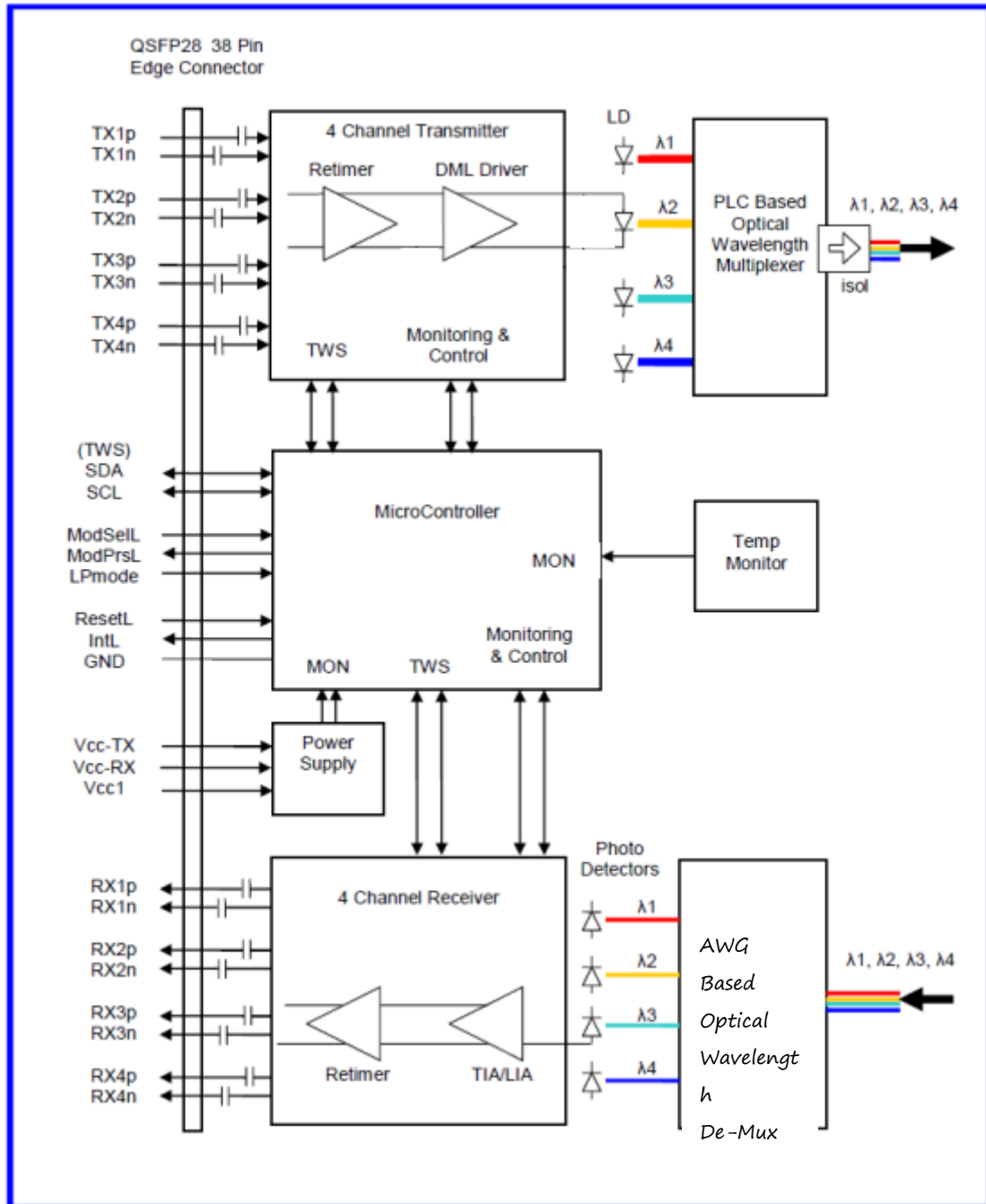


Figure 2. Functional Block Diagram

Mechanical Specifications

Pull Tab Pantone: Blue

Pantone: 300U

Unit: mm

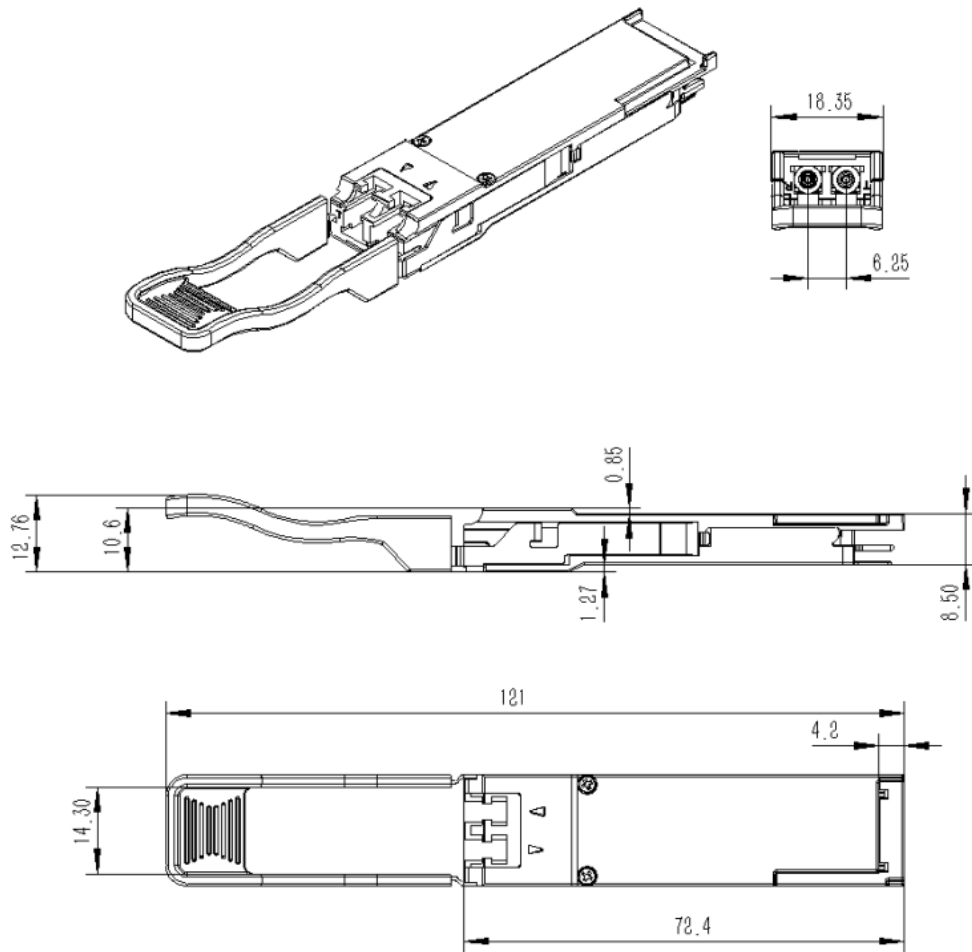


Figure 3. Mechanical Dimensions.

Order information

Part Number	Description
TNQ2LW6XL-CD104	QSFP28 100G LR4 Optical Transceiver